



# Wharfedale Pro Reason Series User Manual Reason-X12 and Reason-X15



<https://muzcentre.ru/>

## IMPORTANT SAFETY INSTRUCTIONS

1. READ ALL INSTRUCTIONS – carefully and become familiar with the features and functions of these products before operating them.
2. RETAIN THESE INSTRUCTIONS – for future reference.
3. COMPLY WITH ALL WARNINGS – All warnings and instructions for this product should be adhered to.
4. USE WITH AMPLIFIERS – In order to avoid damage to drivers and other equipment, it is advisable to establish and follow a routine for powering up and powering down a sound system. With all system components connected, turn on source equipment (mixers, signal processors, record and playback units, etc.) BEFORE powering up amplifiers. Transient voltages from powering up source equipment can damage speakers if amplifiers are already turned on. Make sure that amplifier volumes are set to their minimum settings and power up any system amplifiers LAST. It is recommended that all system components be allowed to stabilize for several seconds before any source signals are introduced or level setting adjustments are made. Similarly, when shutting systems down, turn all amplifiers off first, before powering down any other system components.
5. CABLES – Do not use shielded or microphone cables for connection between amplifiers and speakers. Use only approved speaker cables with proper connectors.
6. CAUTION – Professional loudspeaker systems are capable of generating very high sound pressure levels. Use care with placement and operation to avoid exposure to excessive volume levels. Permanent hearing damage can result when operated to extreme levels.
7. SERVICE – There are no user serviceable parts inside this product. Users should not attempt to service this product. Warranty nullification could result if this is attempted.
8. RIGGING - SUSPENDING - MOUNTING - Rigging suspending or mounting of speaker systems can expose members of the public to serious health risks and even death.

**UNDER NO CIRCUMSTANCES ATTEMPT TO RIG, SUSPEND OR OTHERWISE MOUNT THESE SPEAKERS UNLESS YOU ARE FULLY QUALIFIED AND CERTIFIED TO DO SO BY RELEVANT LOCAL, STATE AND NATIONAL AUTHORITIES. ALL RELEVANT SAFETY REGULATIONS MUST BE FOLLOWED. IF YOU ARE NOT PROPERLY QUALIFIED OR DO NOT KNOW OF PERTINENT REGULATIONS, CONSULT QUALIFIED PERSONNEL FOR ADVICE.**

### WHARFEDALE PRO LIMITED WARRANTY

Wharfedale Pro products are warranted of manufacturing or material defects for a period of one year from the original date of purchase. In the event of malfunction, contact your authorized Wharfedale Pro dealer or distributor for information.

\*Be aware that warranty details may differ from country to country. Contact your dealers or distributor for information. These terms do not infringe your statutory rights.



### WHARFEDALE PROFESSIONAL

IAG House, 13/14 Glebe Road, Huntingdon, Cambridgeshire, PE27 7DL, UK

[www.wharfedalepro.com](http://www.wharfedalepro.com)

Wharfedale Professional reserves the right to alter or improve specifications without notice.

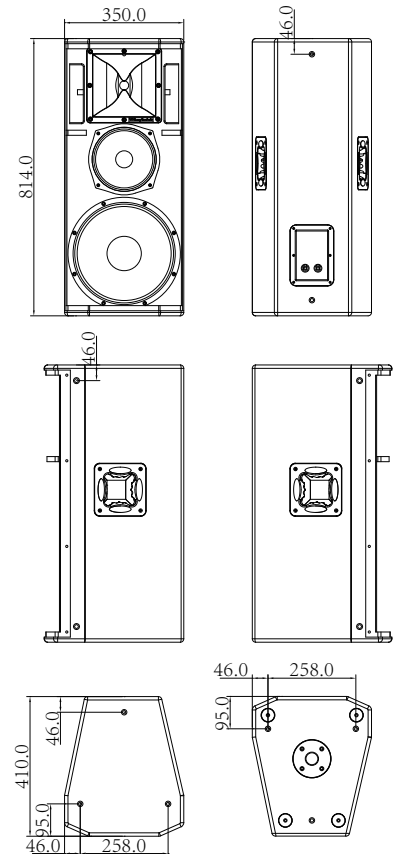
All rights reserved © 2020 Wharfedale Pro. Wharfedale Pro is a member of the IAG Group.

# SPECIFICATION

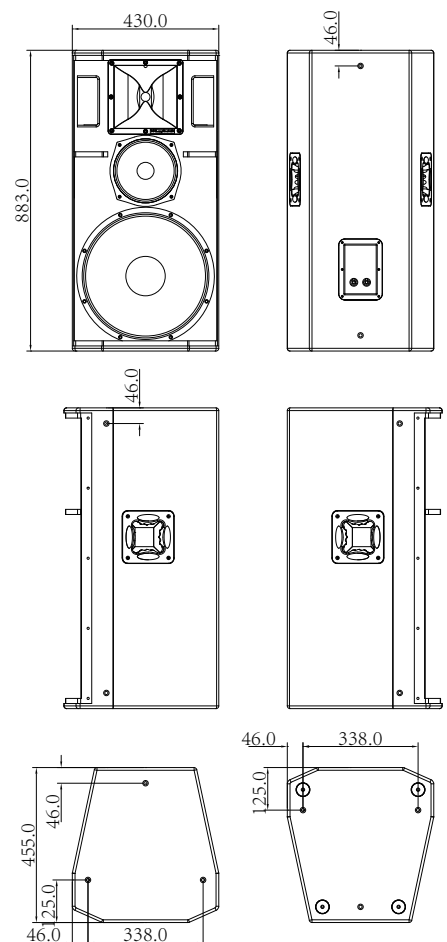
Model Name	Reason-X12	Reason-X15
<b>System Type</b>	Passive	Passive
<b>Configuration</b>	Three-way	Three-way
<b>Frequency Response (+/-3dB)</b>	55Hz - 20kHz	45Hz - 20kHz
<b>Frequency Range (-10dB)</b>	50Hz - 20kHz	40Hz - 20kHz
<b>Sensitivity (2.83v/1m)</b>	98dB	99dB
<b>Calculated Maximum SPL @1m</b>	131dB	133dB
<b>System Rated Impedance</b>	8Ω	8Ω
<b>Low Frequency Transducer</b>		
<b>Size</b>	332mm / 12"	404mm / 15"
<b>Voice Coil Size</b>	75mm / 3.0"	75mm / 3.0"
<b>LF Magnet Material</b>	ferrite	ferrite
<b>LF Frame Material</b>	Aluminium	Aluminium
<b>Rated Impedance</b>	8Ω	8Ω
<b>LF Power re:AES2-2012</b>	400W	500W
<b>Mid Frequency Transducer</b>		
<b>Size</b>	203.8mm / 8"	203.8mm / 8"
<b>Voice Coil Size</b>	50.8mm / 2.0"	50.8mm / 2.0"
<b>MF Magnet Material</b>	ferrite	ferrite
<b>MF Frame Material</b>	Aluminium	Aluminium
<b>Rated Impedance</b>	8Ω	8Ω
<b>MF Power re:AES2-2012</b>	100W	100W
<b>High Frequency Transducer</b>		
<b>HF Driver Type</b>	Compression Driver	Compression Driver
<b>Coil Size (mm / inches)</b>	38mm / 1.5"	38mm / 1.5"
<b>Exit Size (mm / inches)</b>	25mm / 1"	25mm / 1"
<b>HF Magnet Material</b>	NdFeB	NdFeB
<b>Diaphragm Material</b>	PEN	PEN
<b>Rated Impedance</b>	8Ω	8Ω
<b>HF Power re:AES2-2012</b>	40W	40W
<b>Waveguide Type</b>	square	square
<b>Nominal Coverage (H x V)</b>	100 x 70	100 x 70
<b>Nominal Impedance</b>	8Ω	8Ω
<b>Power</b>		
<b>System Continuous Power (W)</b>	500W	600W
<b>System Programme Power (W)</b>	1000W	1200W
<b>System Peak Power (W)</b>	2000W	2400W
<b>Crossover Frequency</b>	800Hz / 2.7kHz	800Hz / 2.7kHz
<b>Input Connector</b>	2 x speakON	2 x speakON
<b>Rigging</b>	M8 x 12	M8 x 12
<b>Handles</b>	2	2
<b>Enclosure</b>		
<b>Cabinet Type</b>	Trapezoid	Trapezoid
<b>Enclosure Material and finish</b>	15mm plywood	15mm plywood
<b>Colour Options</b>	Black paint	Black paint
<b>Grille Material &amp; Finish</b>	Steel	Steel
<b>Dimensions - Unpacked (mm / inches):</b>		
<b>Height</b>	814mm / 32.0"	883mm / 34.8"
<b>Width Front</b>	350mm / 13.8"	430mm / 16.9"
<b>Width Rear</b>	231mm / 9.1"	298mm / 11.7"
<b>Depth</b>	410mm / 16.1"	455mm / 17.9"
<b>Dimensions - Packed (mm / inches):</b>		
<b>Height</b>	909mm / 35.8"	978mm / 38.5"
<b>Width Front</b>	500mm / 19.7"	545mm / 21.5"
<b>Width Rear</b>	500mm / 19.7"	545mm / 21.5"
<b>Depth</b>	440mm / 17.3"	520mm / 20.5"
<b>Weight</b>		
<b>Net Weight (kg / lbs)</b>	29.0kg / 63.8lbs	32.5kg / 71.5lbs
<b>Gross Weight (kg / lbs)</b>	33.7kg / 74.2lbs	37.5kg / 82.5lbs

# OVERVIEW

## Reason-X12



## Reason-X15



Wharfedale Pro also manufacture a wide range of power amplifiers and signal processors.  
For recommended accessories, amplifiers and system diagrams please visit [www.wharfedalepro.com](http://www.wharfedalepro.com)